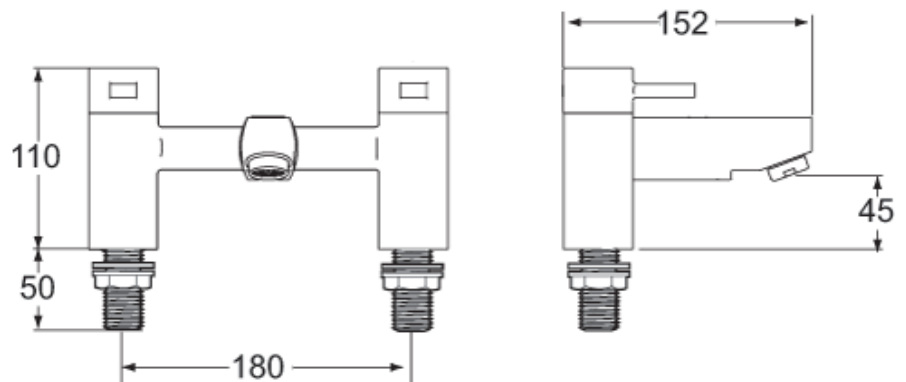


Qubella Bath Filler

Product Code 100664



- **Deck Mounted Bath Filler**
- **Cast Brass Body**
- **Brass Handle**
- **Full Aerator**
- **3/4" BSP Connections**
- **Minimum Pressure 0.25 bar**